



## VR Elastomer Seal Valves

The VR valves are right angled general purpose UHV valves with a cycle usage minimum of 100,000 activations. The bonnet (top) seal of the valve is welded (VR series).



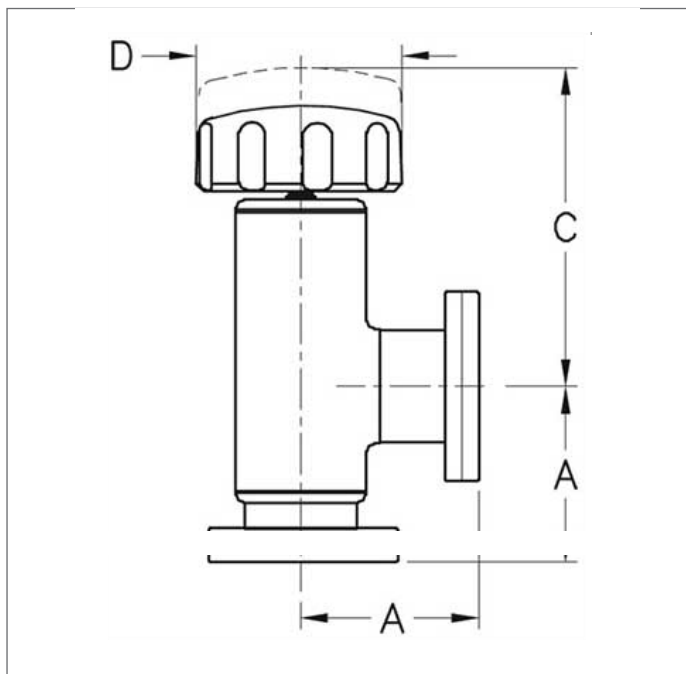
### Product Overview

- Viton® face seal
- 100,000 cycle service life
- Rising stem
- Rotatable CF flanges, Klein, ISO
- Bakeable to 200°C open or 150°C closed
- Leak rate less than  $10^{-10}$  mbar ls<sup>-1</sup>
- Pressure range from  $1 \times 10^{-10}$  mbar to 4 bar
- Hydro-formed Bellows sealed actuation

The VR valve uses a replaceable elastomer seal. Rotatable flanges are used on both valve axis allowing for complete valve alignment in any mounting situation.



## VR Elastomer Seal Valves



**ZVR Series**

### **Viton® Valve Range-Manual (VR)**

DN Type	OD Flange mm	Tube OD mm	Construction	A mm	C mm	D mm	Conductance litre/sec	Order Code
DN40	Rotatable 70	41.3	Welded	63	116	76	34	ZVR40R
DN63	Rotatable 114	63.5	Welded	105	172	114	100	ZVR60R