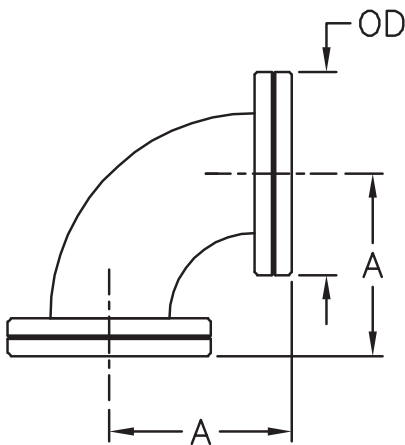


90° Radius Elbows (BE Series)

Conflat flanged 90° Radius elbows.



Product Overview

- Manufactured to ISO standards
- UHV Clean
- HV and UHV compatible
- All 304L stainless steel construction
- All tubulations are fully UHV compatible and bakeable to 450°C
- 90° elbow
- Curved elbows have a higher conductance and fewer internal welds when compared to the mitred versions.
- One flange is fixed, the other is rotatable. The fixed flange can be welded in place with its bolt holes in an inline or straddled orientation.

All VACGEN's components allow quick, easy and repeatable leak free joints and are designed for complete modularity for building simple high vacuum backing or pumping lines.

| UHV 90° Radius Elbows (BE Series) | | | | | |
|-----------------------------------|-------|----------------|-----------------|---------------------------------|------------|
| DN Type | OD mm | Dimension A mm | Minimum Bore mm | Flange Alignment and number | Order Code |
| DN19 | 34 | 38 | 15.7 | 1 Fixed Inline & 1 Rotatable | ZBE19RI |
| DN19 | 34 | 38 | 15.7 | 1 Fixed Straddled & 1 Rotatable | ZBE19RS |
| DN40 | 70 | 63 | 33.7 | 2 Rotatable | ZBE38R |
| DN63 | 114 | 105 | 58.9 | 2 Rotatable | ZBE64R |
| DN100 | 152 | 184 | 95.7 | 1 Fixed Inline & 1 Rotatable | ZBE10HRI |
| DN100 | 152 | 184 | 95.7 | 1 Fixed Straddled & 1 Rotatable | ZBE10HRS |