

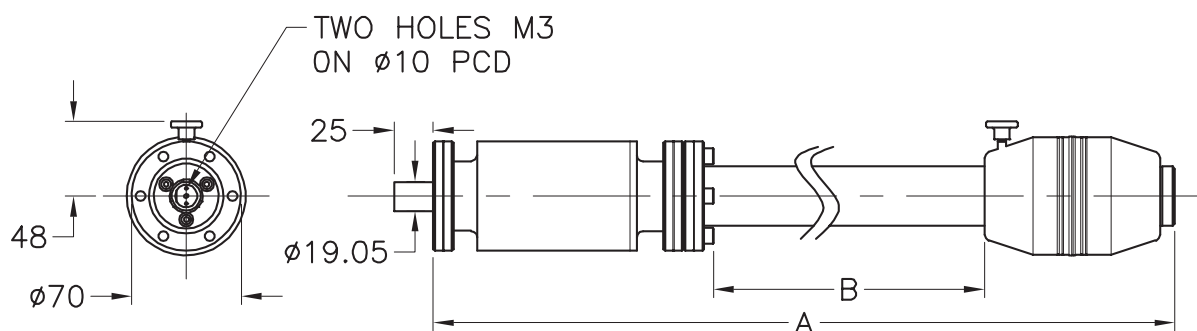


MLD Magnetic Linear Motion Sample Transfer Devices

All metal, linear motion, transfer probe, magnetically coupled and built for high accuracy, high repeatability tasks.

Product Overview

- Linear motion drive
- High powered magnets allow drives to be horizontally or vertically mounted
- Tactile control of sample transfer
- Bakeable internal and external magnets
- Complete drive bakeable to +250°C (max operating temp 120°C)
- Leak rate $< 1 \times 10^{-10}$ mbar ls⁻¹
- Pressure range 1 bar to 10^{-11} mbar
- Position lock
- 70mm OD conflat mounting flange
- 305mm to 914mm travel
- 19mm dia probe



Magnetic Linear Transfer Probes - MLD Series

DN Type	Flange OD mm	Linear Travel mm	Dim A mm	Dim B mm	Load Capacity kg	Order Code
DN40	70	305	626	311	0.3	ZMLD203
DN40	70	460	781	486	0.3	ZMLD204
DN40	70	610	931	636	0.3	ZMLD206
DN40	70	914	1324	940	0.3	ZMLD209