



## RD1 Primary Rotary Drive

The RD1 is a manual or motorised high precision rotary drive. A position lock is fitted. The main shaft can be extended to suit custom requirements.

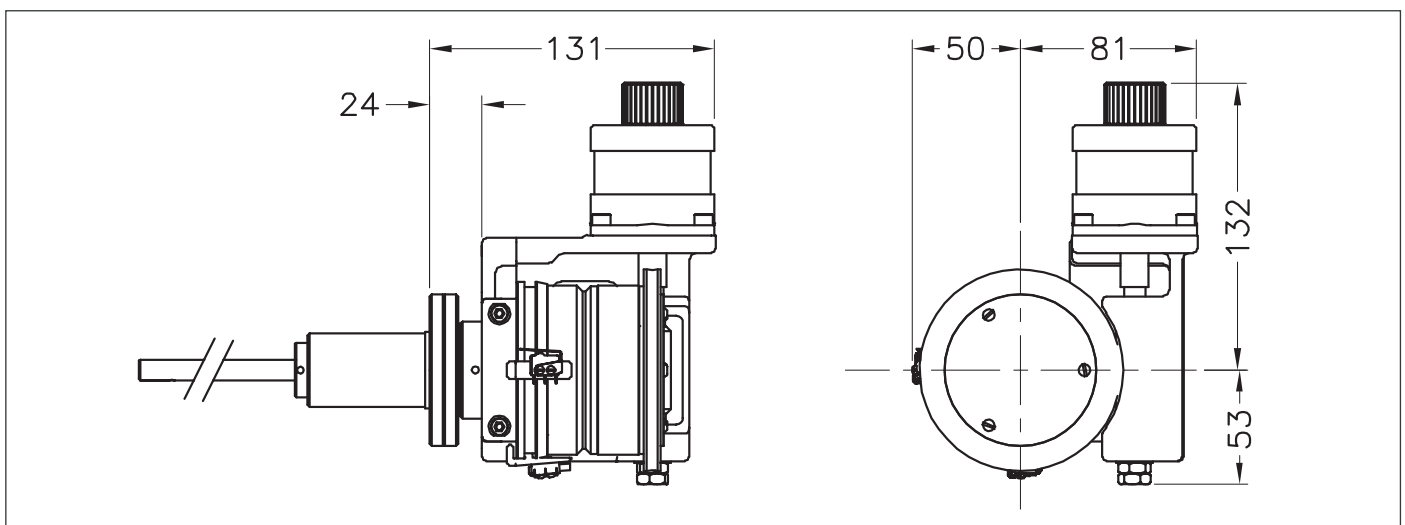


### Product Overview

- Low backlash
- Continuous rotation to 500rpm
- 70mm OD flange
- Graduated handwheel with Vernier scale
- Motorisation is available to give 0.01° resolution
- Axial load: rotary shaft 40N
- Bakeable to 230°C (motors removed)
- Stepper motor kits with optional encoders
- Suitable for VACGEN sample handling
- Bearing housing can be fitted to for longer shaft lengths

The RD1 is a low backlash, high precision edge welded bellows drive providing continuous primary rotation to a 9.52 mm diameter shaft.

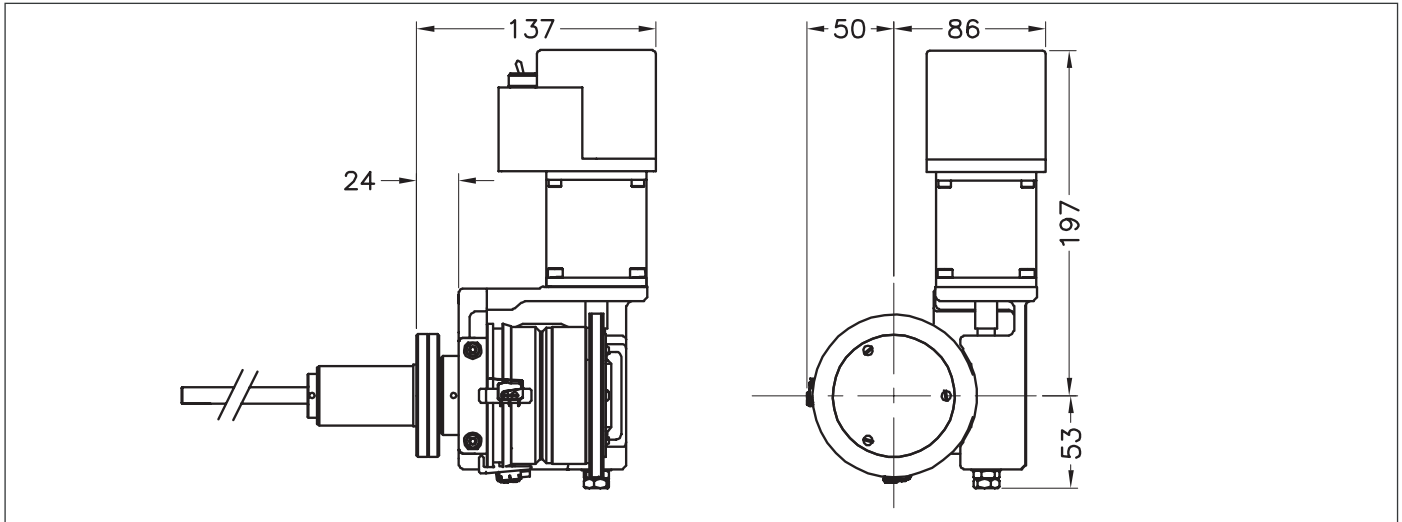
### RD1 with stepper motor



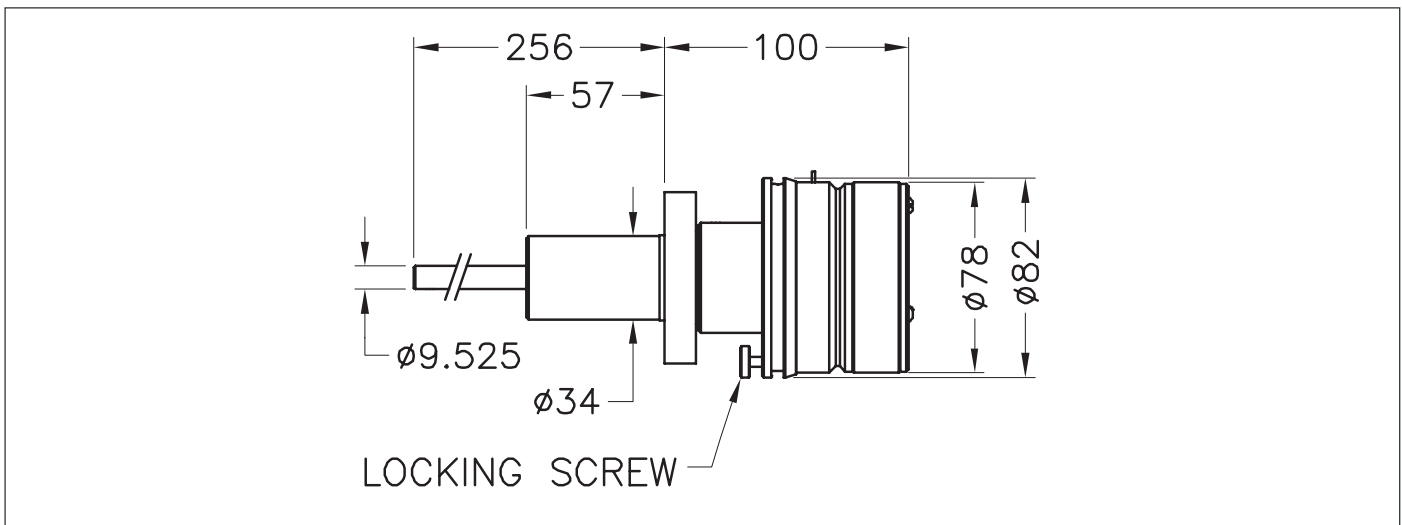


# RD1 Primary Rotary Drive

## RD1 with DC motor



## RD1 Manual



### RD1 (Primary) Series Rotary Drive and Motorisation

Flange OD mm	Rotation Range Degrees	Resolution Degrees	Torque Nm 100rpm	Torque Nm 10rpm	Order Code
70	360 *	0.1	0.5	5	ZRD1
Stepper Motor Kit	+/-168	0.01	4 at 16 rpm max	4 at 16 rpm max	ZRDPMKW
Stepper motor with encoder	+/- 168	0.01	4 at 16 rpm max	4 at 16 rpm max	ZRDPMKE

\* Continuous rotation where wiring and/or cooling is not fitted