



Rotatable Blank CF Flanges

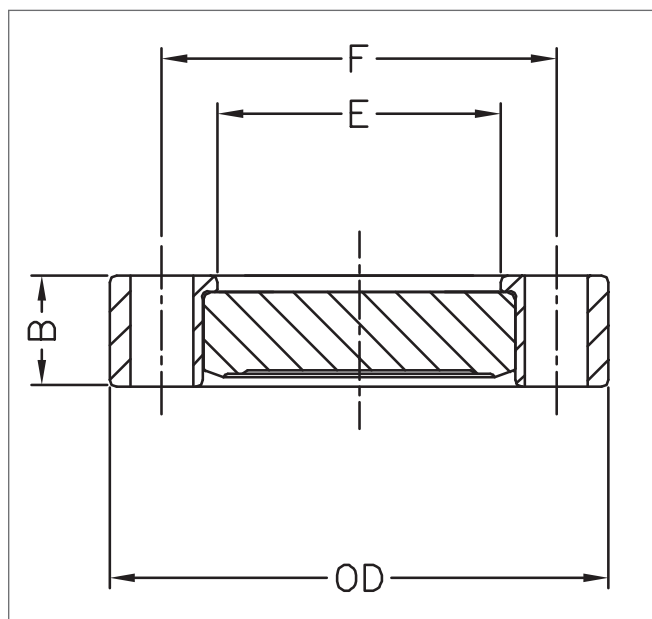
The rotatable Conflat flange (CF) consists of two parts, the inner knife edge detail and the outer bolt hole retaining ring which rotates around the inner part. This allows the bolt holes to align to mating flanges in any orientation.



Product Overview

- Made to international flange standards. Ensuring compatibility with existing flange dimensions
- Two materials available from stock, 304L and 316LN ESR (316LN ESR Tri forge on request)
- Controlled material hardness for Longer life
- High temperature range. Suitable for use from liquid nitrogen temperatures to 450°C. 316LN to 1050°C vacuum bake
- Wide pressure range 1 bar to 10^{-12} mbar.
- Low outgassing rates $<1^{-13}$ mbar.l.s-1.cm²
- Controlled alloy, controlled detection of inclusion and additives
- Very low magnetic permeability, $\mu=1.005$ for 316LN ESR material
- Also suitable for use in high magnetic field applications
- Harder material (added N₂) prolongs lifetime of knife edge and allows H₂ degassing
- Low carbon content reduces possibility of corrosion and chromium migration at welds
- Capable of vacuum firing for removal of H₂
- Full material traceability available

The rotatable nature of the CF flange allows any bolt hole orientation to be easily accommodated. Universal fit for VACGEN Gaskets and bolt kits..





Rotatable Blank CF Flanges

304L Rotatable Blank CF Flanges (CFR Series)

DN Number	OD mm	Mounting Holes	Flange Thickness B mm	Rotatable Tube Bore E mm	Bolt Hole PCD F	Bolt Hole Diameter (or thread)	Number of Bolt Holes	Previous VG code	Order Code 304L
DN16	34	Clear	7.6	19.3	27	4.3	6	ZFCR90	CFR34
DN16	34	Tapped	7.6	19.3	27	(M4)	6	-	CFR34T
DN40	70	Clear	13	41.9	58.7	6.8	6	ZFCR2	CFR70
DN40	70	Tapped	13	41.9	58.7	(M6)	6	ZFCR2T	CFR70T
DN63	114	Clear	17.5	68	92.1	8.4	8	ZFCR4	CFR114
DN63	114	Tapped	17.5	68	92.1	(M8)	8	-	CFR114T
DN100	152	Clear	20	104.9	130.2	8.4	16	-	CFR152
DN100	152	Tapped	20	104.9	130.2	8.4	16	-	CFR152T
DN160	203	Clear	22	155.7	181.2	8.4	20	-	CFR203
DN160	203	Tapped	22	155.7	181.2	8.4	20	-	CFR203T
DN200	254	Clear	24.5	206.4	231.8	8.4	24	ZFCR10	CFR254
DN200	254	Tapped	24.5	206.4	231.8	8.4	24	-	CFR254T

All dimensions are in mm unless otherwise stated

316LN (2D Forged) Rotatable Blank CF Flanges (CFR Series)

DN Number	OD mm	Mounting Holes	Flange Thickness B mm	Rotatable Tube Bore E mm	Bolt Hole PCD F mm	Bolt Hole Diameter (or thread)	Number of Bolt Holes	Order Code 316LN
DN16	34	Clear	7.6	19.3	27	4.3	6	CFR34-LN
DN16	34	Tapped	7.6	19.3	27	(M4)	6	CFR34T-LN
DN40	70	Clear	13	41.9	58.7	6.8	6	CFR70-LN
DN40	70	Tapped	13	41.9	58.7	(M6)	6	CFR70T-LN
DN63	114	Clear	17.5	68	92.1	8.4	8	CFR114-LN
DN63	114	Tapped	17.5	68	92.1	(M8)	8	CR114T-LN
DN100	152	Clear	20	104.9	130.2	8.4	16	CFR152-LN
DN100	152	Tapped	20	104.9	130.2	8.4	16	CFR152T-LN
DN160	203	Clear	22	155.7	181.2	8.4	20	CFR203-LN
DN160	203	Tapped	22	155.7	181.2	8.4	20	CFR203T-LN
DN200	254	Clear	24.5	206.4	231.8	8.4	24	CFR254-LN
DN200	254	Tapped	24.5	206.4	231.8	8.4	24	CFR254T-LN

All dimensions are in mm unless otherwise stated