



VACGEN

**Assembly Information for MLRM (Obsolete) /MLRV  
Tube or Bearing Replacement one the 2 or 4 series**

**Use in conjunction with manual**

**Please Note:**

On the Inner Shaft of the MLRM they have a Steel Core, whereas the MLRV Inner Shaft has a Housing with Magnets.

- 1) Remove the outer Magnet Housing.
- 2) Looking at the knife edge you will see the face of a spiral circlip. Find the end of the circlip and peel out using a small flat blade.
- 3) Pull out the Inner Shaft.
- 4) The Front Bearing will out with the Inner Shaft.
- 5) Remove the Rear Bearing Assembly from the Inner Shaft by removing the cap head screw.
- 6) If changing the Inner Tube, either remove the steel core (MLRM now obsolete) or magnet housing (MLRV).
- 7) Check both Bearing Assemblies for any damage.

**Note:**

If running just rough, then washing the bearings in Isopropanol can often solve this issue.

- 8) If the Inner Tube is being replaced, check the Front Bearing is not tight and runs on the shaft smoothly prior to fitting.
- 9) Refit Rear Bearing/Magnet Assembly.
- 10) Slide the Inner Tube into Outer Tube.
- 11) Refit Front Bearing into recess.
- 12) Refit Clip.
- 13) Check operation without magnet fitted.  
It is easier to feel any imperfections in the tube.
- 14) Refit magnet housing and try movement.

**NOTE:**

Once the inner shaft is removed, try the bearing on the inner shaft for any rough movement or sticking.

**NOTE:**

Do not use any lubricant on the bearings, these have been through a special lubrication process

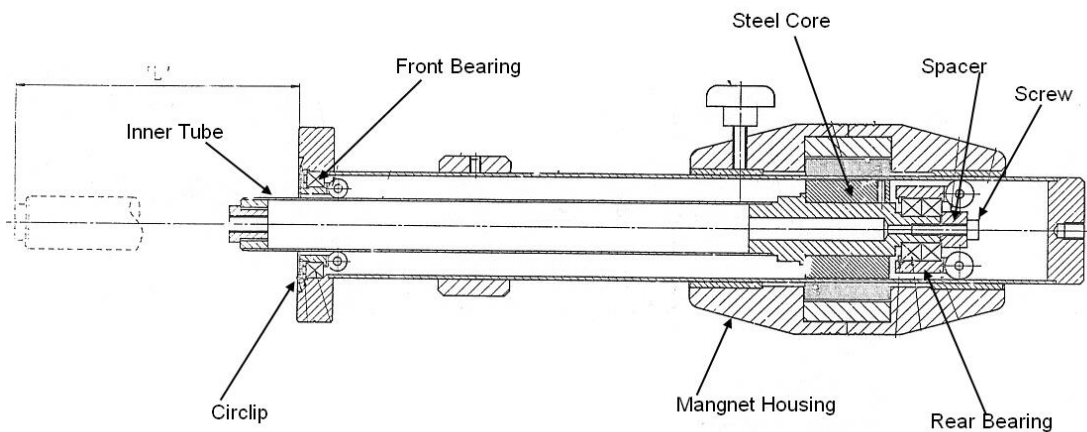
**Spares:**

2 Series Front/Rear Bearing Assembly MLRMBRK

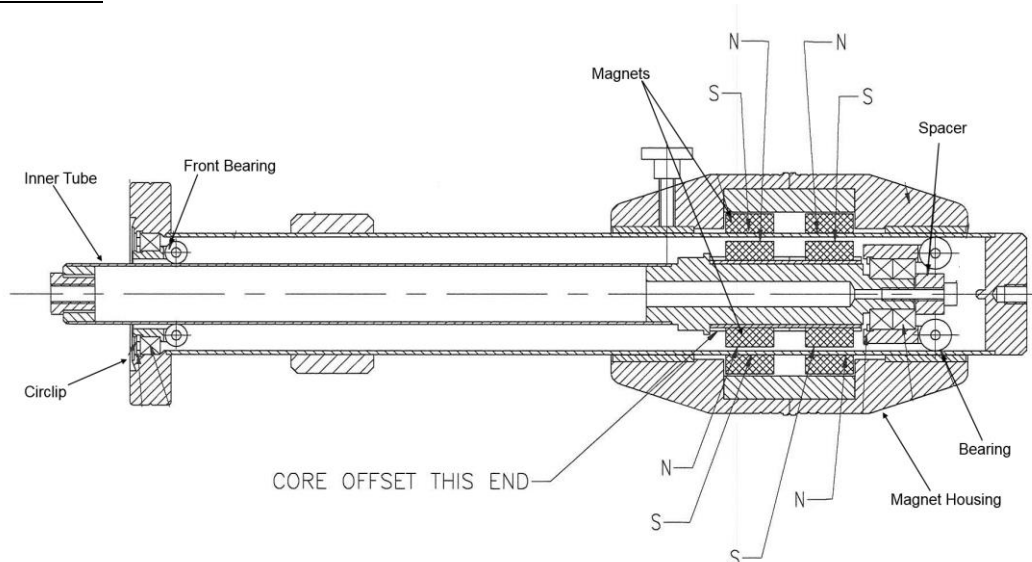
4 Series Front/Rear Bearing Assembly MLRMBRK4

**Guide to internal setup:**

**MLRM**



**MLRV**



**NOTE:**

Only the bearing sets and outer tube are *interchangeable* on the MLRM (Obsolete) and the MLRV