



TR Z-Only Translators

The TR is a long stroke Z-axis translator with 33mm clear bore, manual or motor driven options. The support frame and guide bars ensure movement is stable and rotation free. The design offers a wider throat on the moving flange to accommodate a feedthrough chamber and bellows support tube when required.

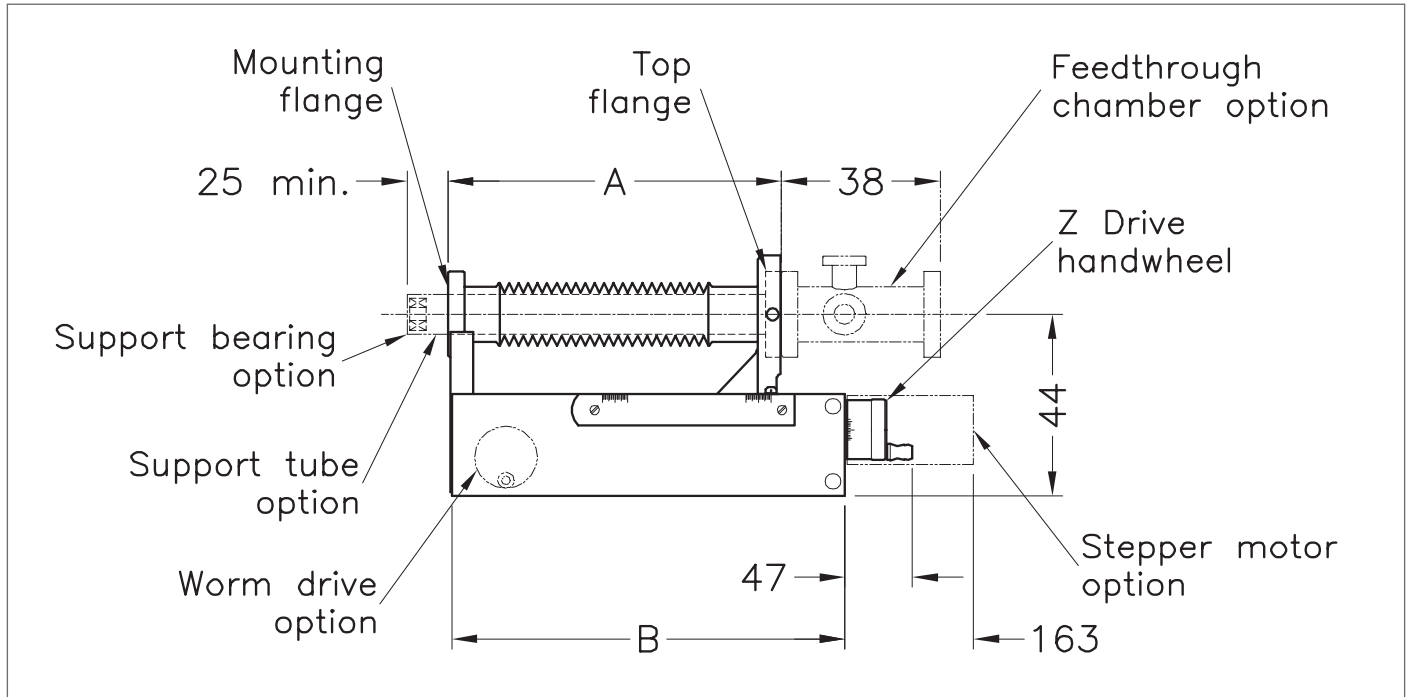


Product Overview

- Z travel ranges are 150, 300, 450 and 600 mm
- Clear bore of 33mm (without support tube) for larger bore Z only translations
- Screw drive for all Z ranges (optional worm drive for longer travels, recommended for 450 and 600mm translators)
- Z resolution 0.01mm manual, 0.005mm motorised
- Linear motion per turn is 2mm (wormwheel drive 4 turns)
- stepper motor with limit switches and encoder options
- Top flange is 70mm OD Conflat tapped (clearance hole option at time of order)
- Mounting flange is 70mm OD Conflat
- Bakeout temperature to 230°C fully assembled (motors and switches removed)
- Any mounting orientation



TR Z-Only Translators



TR Series Dimensions

DN Type	Flange OD mm	Z Travel mm	A Extended mm	A Retracted mm	B mm	Actuation	Resolution	Bake temp	Order Code
DN40	70 Tapped	150	279	129	314	Manual	0.01mm	250°C	ZTR1570
DN40	70 Tapped	300	466	166	499	Manual	0.01mm	250°C	ZTR3070
DN40	70 Tapped	450	652	202	685	Manual	0.01mm	250°C	ZTR4570
DN40	70 Tapped	600	815	215	849	Manual	0.01mm	250°C	ZTR6070
DN40	70 Tapped	150	279	129	314	Stepper motor	0.005mm	250°C	ZTR1570W
DN40	70 Tapped	300	466	166	499	Stepper motor	0.005mm	250°C*	ZTR3070W
DN40	70 Tapped	450	652	202	685	Stepper motor	0.005mm	250°C*	ZTR4570W
DN40	70 Tapped	600	815	215	849	Stepper motor	0.005mm	250°C*	ZTR6070W
DN40	70 Tapped	150	279	129	314	stepper with encoder	0.005mm	250°C*	ZTR1570E
DN40	70 Tapped	300	466	166	499	stepper with encoder	0.005mm	250°C*	ZTR3070E
DN40	70 Tapped	450	652	202	685	stepper with encoder	0.005mm	250°C*	ZTR4570E
DN40	70 Tapped	600	815	215	849	stepper with encoder	0.005mm	250°C*	ZTR6070E

*With motor and encoder removed