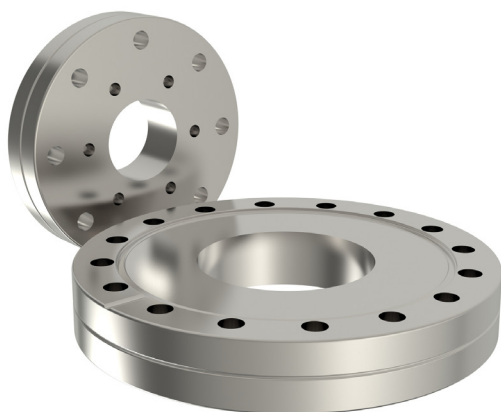




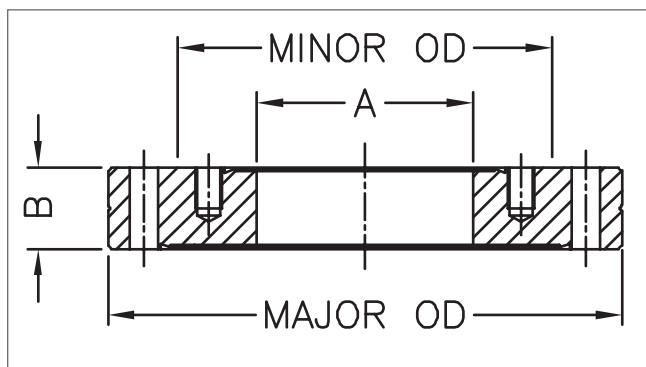
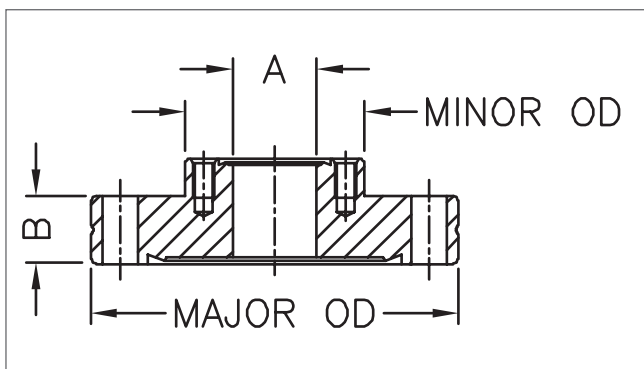
Zero Length CF Adaptor

This conflat (CF) flange is used to adapt from one flange size to another. The larger flange OD has through bolt holes enabling ordinary nut and bolt kits to be used. The smaller flange OD has tapped holes. This connects different sizes of flanges where there is limited space.



Product Overview

- Made to international flange standards. Ensuring compatibility with existing flange dimensions
- Two materials available from stock, 304L and 316LN ESR (316LN ESR Tri forge on request)
- Controlled material hardness for Longer life
- High temperature range. Suitable for use from liquid nitrogen temperatures to 450°C. 316LN to 1050°C vacuum bake
- Wide pressure range 1 bar to 10^{-12} mbar.
- Low outgassing rates $<1^{-13}$ mbar.l.s⁻¹.cm⁻²
- Controlled alloy, controlled detection of inclusion and additives
- Very low magnetic permeability, $\mu=1.005$ for 316LN ESR material
- Also suitable for use in high magnetic field applications
- Harder material (added N₂) prolongs lifetime of knife edge and allows H₂ degassing
- Low carbon content reduces possibility of corrosion and chromium migration at welds
- Capable of vacuum firing for removal of H₂
- Full material traceability available





Zero Length CF Adaptor

Zero Length Adaptor CF Flanges 304L and 316LN

Major OD DN Number	Flange 1 Major OD mm	Bolt Holes mm	To	Flange 2 DN Number	Flange 2 Major OD mm	Bolt Holes	Clear Bore A mm	Thickness B mm	Order Code
DN40	70	Clear 6.8	To	DN16	34	Tapped M4	16	20	CFZL70-34
DN63	114	Clear 8.4	To	DN16	34	Tapped M4	16	17.5	CFZL114-34
DN63	114	Clear 8.4	To	DN40	70	Tapped M6	38	24	CFZL114-70
DN100	152	Clear 8.4	To	DN40	70	Tapped M6	38	24	CFZL152-70
DN150	203	Clear 8.4	To	DN40	70	Tapped M6	38	24	CFZL203-70
DN200	254	Clear 8.4	To	DN40	70	Tapped M6	38	24	CFZL254-70
DN100	152	Clear 8.4	To	DN63	114	Tapped M8	63.7	24	CFZL152-114
DN150	203	Clear 8.4	To	DN63	114	Tapped M8	63.7	24	CFZL203-114
DN200	254	Clear 8.4	To	DN63	114	Tapped M8	63.7	24	CFZL254-114
DN150	203	Clear 8.4	To	DN100	152	Tapped M8	101.8	24	CFZL203-152
DN200	254	Clear 8.4	To	DN100	152	Tapped M8	101.8	24	CFZL254-152
DN200	254	Clear 8.4	To	DN160	203	Tapped M8	152.6	24	CFZL254-203

All dimensions are in mm unless otherwise stated

Zero Length Adaptor CF Flanges 304L and 316LN

Major OD DN Number	Flange 1 Major OD mm	Bolt Holes mm	To	Flange 2 DN Number	Flange 2 Major OD mm	Bolt Holes	Clear Bore A	Thickness B mm	Order Code
DN40	70	Clear 6.8	To	DN16	34	Tapped M4	16	20	CFZL70-34
DN63	114	Clear 8.4	To	DN16	34	Tapped M4	16	17.5	CFZL114-34
DN63	114	Clear 8.4	To	DN40	70	Tapped M6	38	24	CFZL114-70
DN100	152	Clear 8.4	To	DN40	70	Tapped M6	38	24	CFZL152-70
DN150	203	Clear 8.4	To	DN40	70	Tapped M6	38	24	CFZL203-70
DN200	254	Clear 8.4	To	DN40	70	Tapped M6	38	24	CFZL254-70
DN100	152	Clear 8.4	To	DN63	114	Tapped M8	63.7	24	CFZL152-114
DN150	203	Clear 8.4	To	DN63	114	Tapped M8	63.7	24	CFZL203-114
DN200	254	Clear 8.4	To	DN63	114	Tapped M8	63.7	24	CFZL254-114
DN150	203	Clear 8.4	To	DN100	152	Tapped M8	101.8	24	CFZL203-152
DN200	254	Clear 8.4	To	DN100	152	Tapped M8	101.8	24	CFZL254-152
DN200	254	Clear 8.4	To	DN160	203	Tapped M8	152.6	24	CFZL254-203

All dimensions are in mm unless otherwise stated