

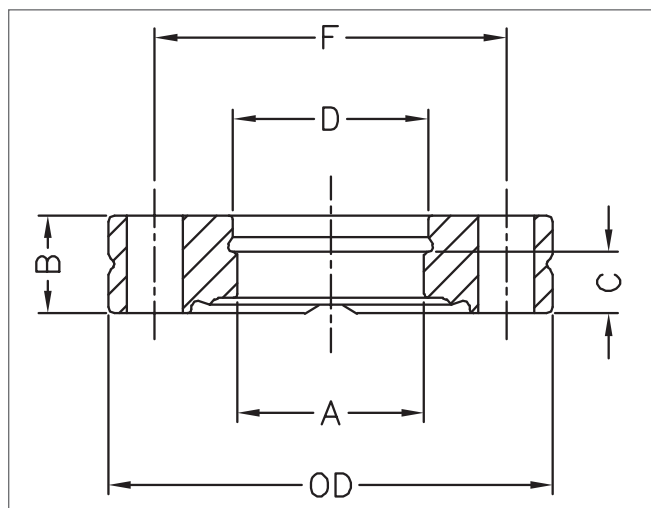


Fixed Bored CF Flanges

Fixed bored flanges are available in the full range of sizes. The smaller sizes of flange can accept a number of different standard tube sizes. A flange ready for assembly or welding, welded onto chamber tubulations or certain specific sized components, providing consistent weld quality.



VACGEN's standard range of flanges are manufactured from 304L steel. These typical 316LN flanges are designed for more demanding applications including the need for greater hardness (at high temperatures) and low magnetic permeability.



Product Overview

- Made to international flange standards. Ensuring compatibility with existing flange dimensions
- Two materials available from stock, 304L and 316LN ESR (316LN ESR Tri forge on request)
- Controlled material hardness for Longer life
- High temperature range. Suitable for use from liquid nitrogen temperatures to 450°C. 316LN to 1050°C vacuum bake
- Wide pressure range 1 bar to 10^{-12} mbar.
- Low outgassing rates $<1^{-13}$ mbar.l.s⁻¹.cm⁻²
- Controlled alloy, controlled detection of inclusion and additives
- Very low magnetic permeability, $\mu=1.005$ for 316LN ESR material
- Also suitable for use in high magnetic field applications
- Harder material (added N₂) prolongs lifetime of knife edge and allows H₂ degassing
- Low carbon content reduces possibility of corrosion and chromium migration at welds
- Capable of vacuum firing for removal of H₂
- Full material traceability available



Fixed Bored CF Flanges

304L Fixed Bored CF Flanges											
DN Number	OD mm	Mounting holes	Clear Bore mm A	Flange Thickness B mm	Land Thickness C mm	Tube Counter Bore D mm	Bolt Hole PCD F mm	Bolt Hole Diameter or thread	No. of Bolt Holes	Previous VG code	Order Code 304L
DN16	34	Clear	16.6	7.6	4.8	19.1	27	4.3	6	ZFC19N	CF34-19
DN16	34	Tapped	16.6	7.6	4.8	19.1	27	(M4)	6	ZFC19NT	CF34T-19
DN40	70	Clear	40	13	4.8	41.3	58.7	6.8	6	ZFC41	CF70-41
DN40	70	Tapped	40	13	4.8	41.3	58.7	(M6)	6	ZFC41T	CF70T-41
DN63	114	Clear	68	17.5	8	70	92.1	8.4	8	ZFC70	CF114-70
DN63	114	Tapped	68	17.5	8	70	92.1	(M8)	8	ZFC70T	CF114T-70
DN100	152	Clear	99.4	20	9.5	101.9	130.2	8.4	16	ZFC100	CF152-102
DN100	152	Tapped	99.4	20	9.5	101.9	130.2	(M8)	16	ZFC100T	CF152T-102
DN160	203	Clear	149.7	22	9.5	152.6	181	8.4	20	ZFC150	CF203-153
DN160	203	Tapped	149.7	22	9.5	152.6	181	(M8)	20	ZFC150T	CF203T-153
DN200	254	Clear	200.4	24.5	9.5	203.5	231.8	8.4	24	ZFC200	CF254-203
DN200	254	Tapped	200.4	24.5	9.5	203.5	231.8	(M8)	24	ZFC200T	CF254T-203

All dimensions in mm unless otherwise stated

316LN (2D Forged) Fixed Bored CF Flanges											
DN Number	OD mm	Mounting holes	Clear Bore mm A	Flange mm Thickness B	Land mm Thickness C	Tube mm Counter Bore D	Bolt Hole PCD F	Bolt Hole Diameter or thread	No. of Bolt Holes	Order Code 316LN	
DN16	34	Clear	16.6	7.6	4.8	19.1	27	4.3	6	CF34-19-LN	
DN16	34	Tapped	16.6	7.6	4.8	19.1	27	(M4)	6	CF34T-19-LN	
DN40	70	Clear	40	13	4.8	41.3	58.7	6.8	6	CF70-41-LN	
DN40	70	Tapped	40	13	4.8	41.3	58.7	(M6)	6	CF70T-41-LN	
DN63	114	Clear	68	17.5	8	70	92.1	8.4	8	CF114-70-LN	
DN63	114	Tapped	68	17.5	8	70	92.1	(M8)	8	CF114T-70-LN	
DN100	152	Clear	99.4	20	9.5	101.9	130.2	8.4	16	CF152-102-LN	
DN100	152	Tapped	99.4	20	9.5	101.9	130.2	(M8)	16	CF152T-102-LN	
DN160	203	Clear	149.7	22	9.5	152.6	181	8.4	20	CF203-153-LN	
DN160	203	Tapped	149.7	22	9.5	152.6	181	(M8)	20	CF203T-153-LN	
DN200	254	Clear	200.4	24.5	9.5	203.5	231.8	8.4	24	CF254-203-LN	
DN200	254	Tapped	200.4	24.5	9.5	203.5	231.8	(M8)	24	CF254T-203-LN	