



LDM Micrometer Linear Drive

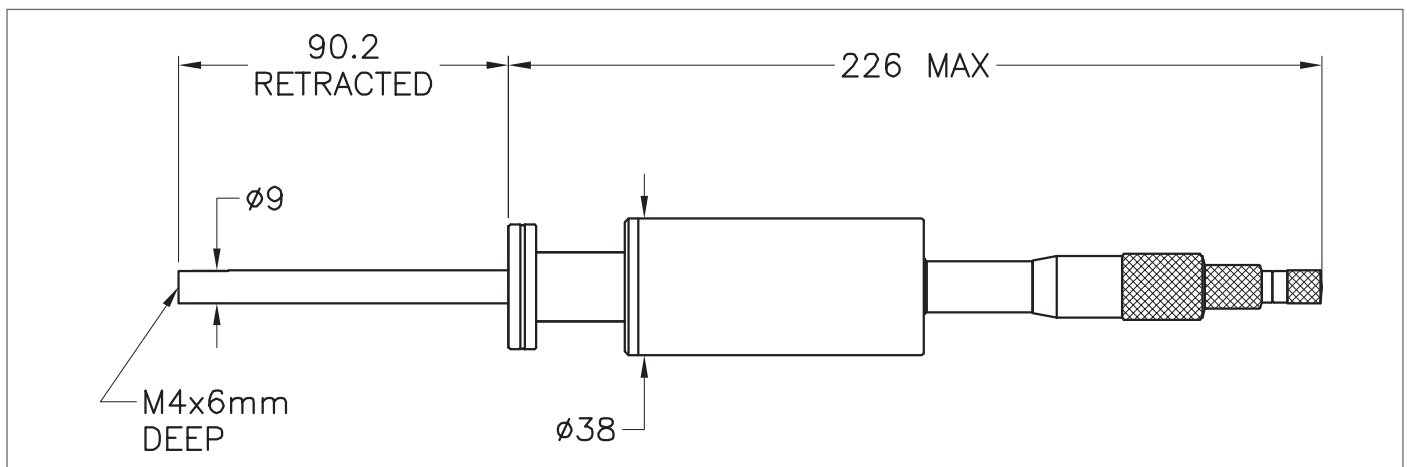
Micrometer screwed drives provide linear movement inside a vacuum envelope, with the actuation via a micrometer, which rotates to give controlled linear movement to a resolution of 5 microns. The micrometer drive products can be used in applications where a sample or internal device movement is required with fine control of linear displacement.



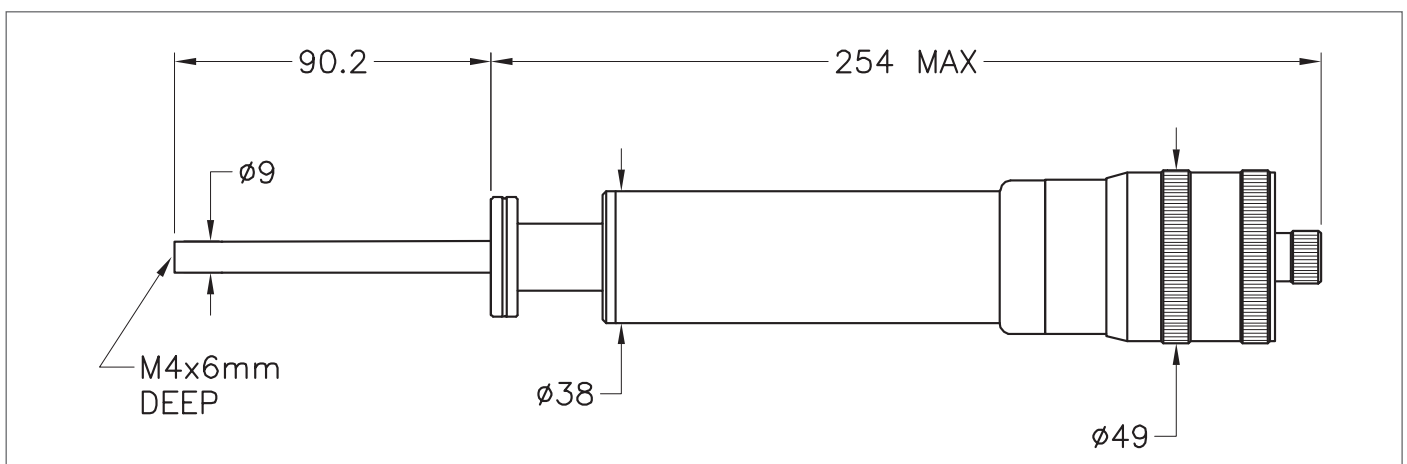
Product Overview

- Micrometer driven drives
- 230°C bakeout assembled
- Axial load 25 N
- Available in 25mm or 50mm stroke
- 70mm OD flange with 33mm OD travelling mount
- 34mm OD flange with 9mm travelling shaft

LDM 925



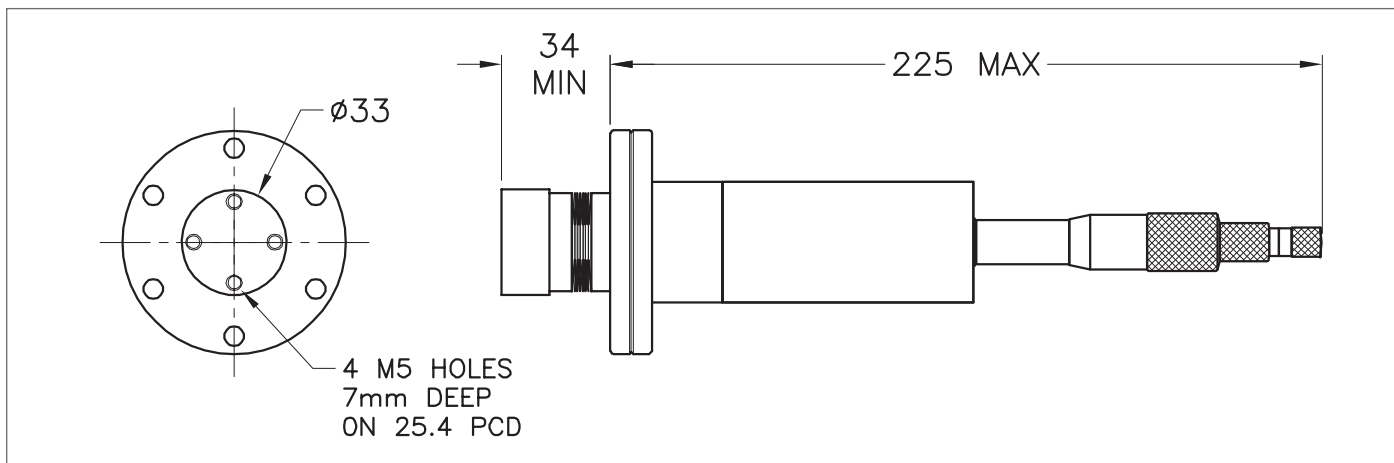
LDM 950



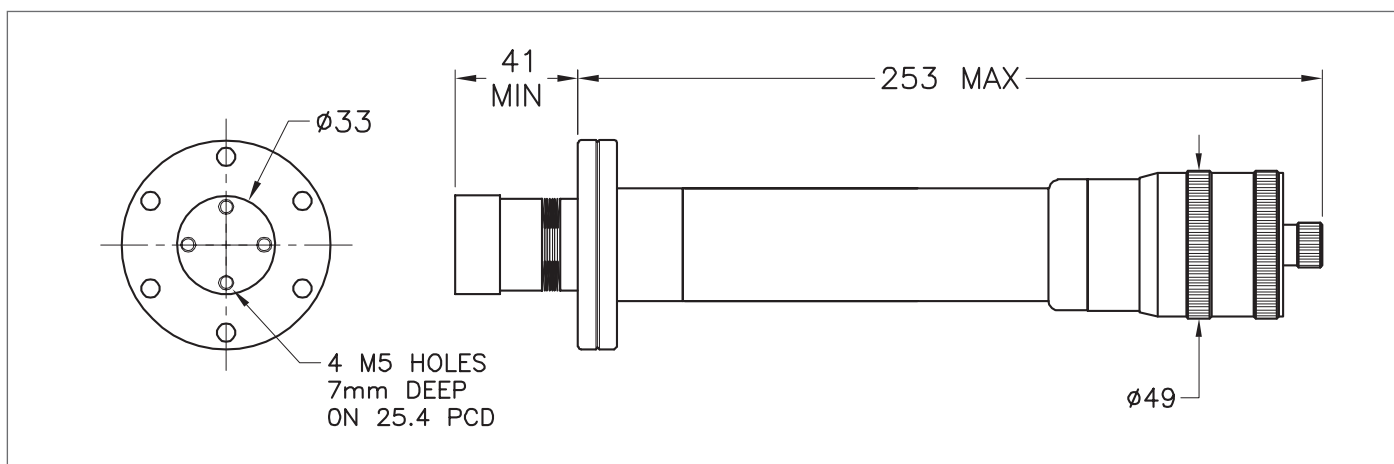


LDM Micrometer Linear Drive

LDM 225



LDM 250



LDM Micrometer Series

DN Type	Flange OD mm	Travel	Operation	Micrometer Resolution mm	Order Code
DN16	34	25	Micrometer	0.01	ZLDM925
DN16	74	50	Micrometer	0.005	ZLDM950
DN40	70	25	Micrometer	0.01	ZLDM225
DN40	70	50	Micrometer	0.005	ZLDM250

Prices quoted are Ex-works, VACGEN Limited, UK

Prices do not include shipment or local import duty costs.

VACGEN reserve the right to change prices without prior notice..