



## DPRF 25mm Bore Differentially Pumped Rotary Feedthrough

The VACGEN rotating platform provides the means of translating rotation through a vessel wall without losing vacuum integrity, enabling probes or assemblies to be inserted without effect on the chamber pressure.

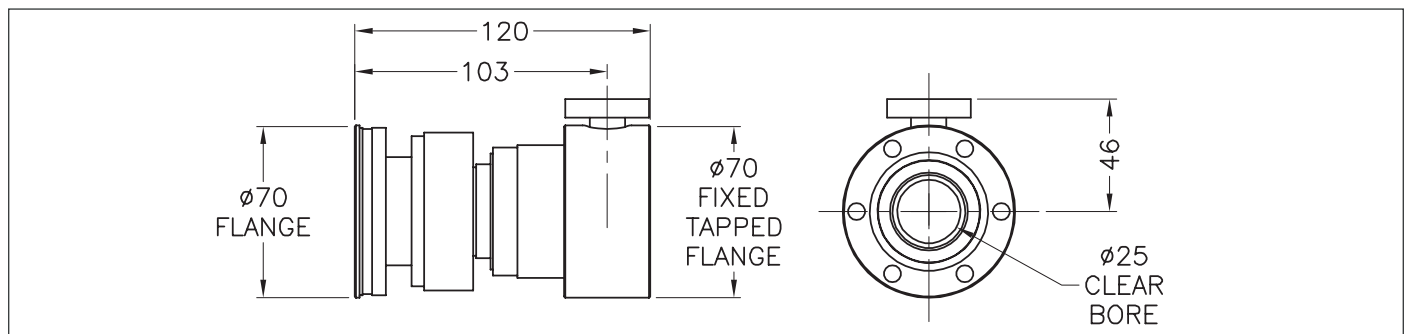


### Product Overview

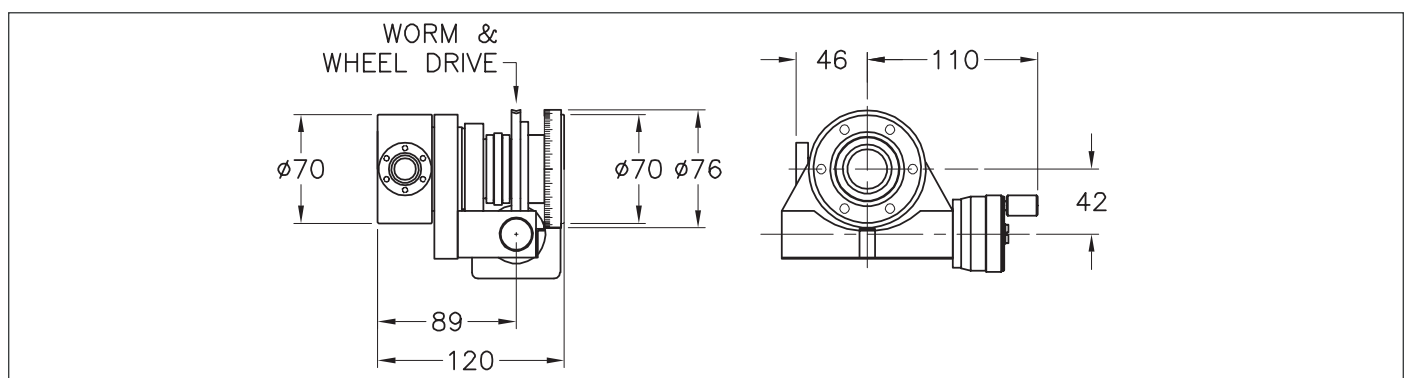
- Continuous rotation
- 25mm clear bore on 70mm OD Conflat flanges
- M6 Tapped base flange
- Air side M6 clear bolt hole flange
- Interspace pumping to  $10^{-2}$  mbar via 34mm OD Conflat flange
- Coarse or High Precision versions
- Replaceable PTFE seals
- Fully bakeable
- Manual and motorisation options with encoder.
- Axial load 800N
- Radial load 9Nm

To maintain the rotary seal, a vacuum port is mounted to the side of the assembly allowing connection to an appropriate pump. 25mm clearbore with coarse and fine control available in addition to motorised options.

### DPRF25 Manual Rotary Feedthrough



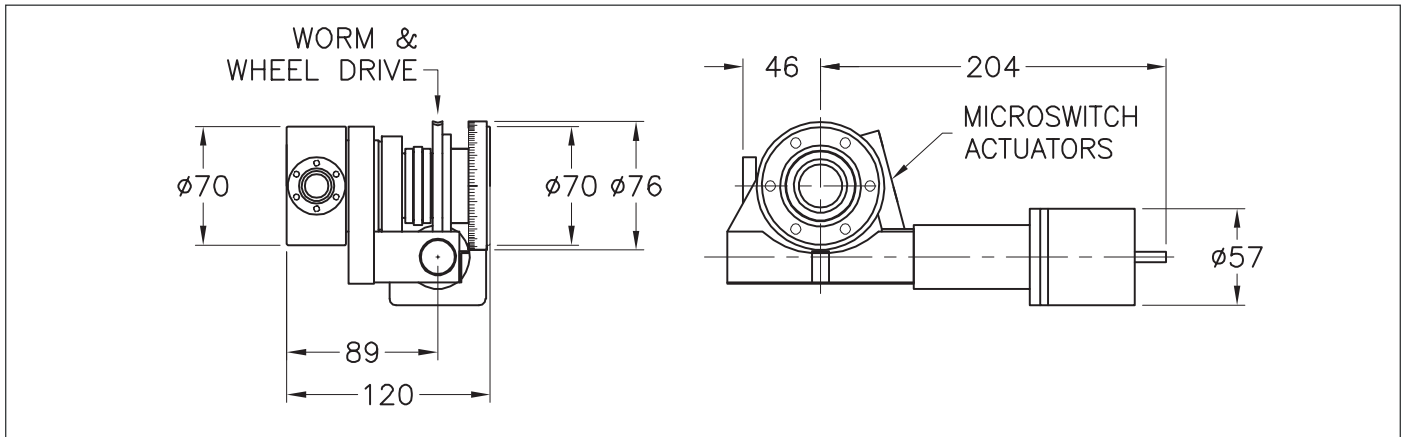
### DPRF25H High Precision Handwheel Drive



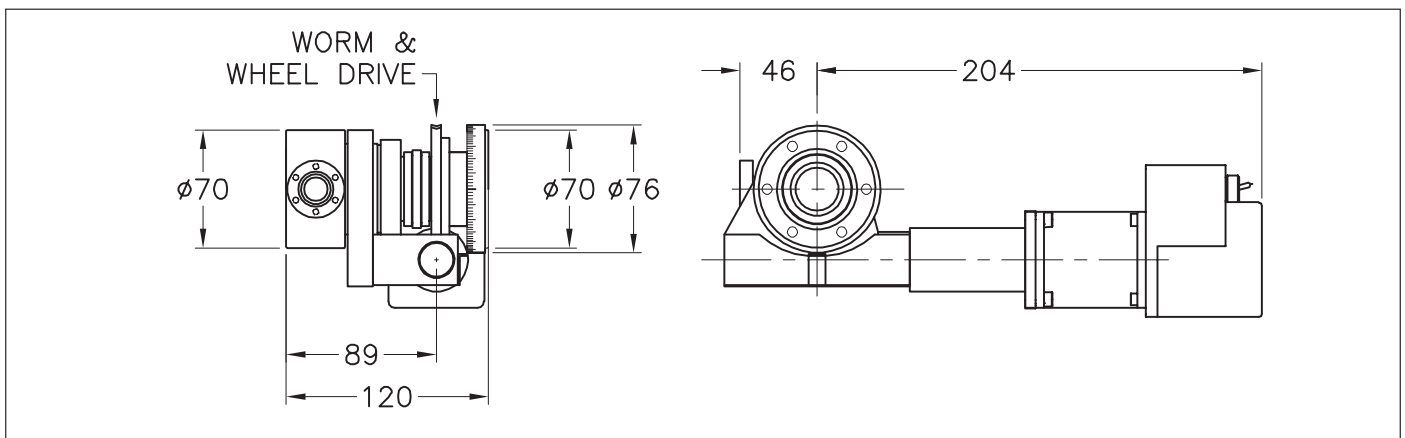


## DPRF 25mm Bore Differentially Pumped Rotary Feedthrough

### DPRF25H High Precision Stepper Motor Drive



### DPRF25H High Precision DC Motor Drive



### DPRF25 Series Rotary Feedthrough

DN Type	OD mm	Rot. Flange Holes	Fixed Flange Holes	Actuation	Resolution Degrees	Max Rotation Speed	Torque to Rotate	Maximum Load Axial	Maximum Load Radial	Bakeout Temp	Order Code
DN38	70	Clear	Tapped M6	Manual	2	-	4 Nm	80 kg	9Nm	230°C	ZDPRF25
DN38	70	Clear	Tapped M6	High Precision	0.05	1.5 rpm	0.2 Nm	80 kg	9 Nm	230°C	ZDPRF25H
DN38	70	Clear	Tapped M6	Stepper Motor	0.01	3.0 rpm	-	80 kg	9 Nm	230°C*	ZDPRF25W
DN38	70	Clear	Tapped M6	Stepper Motor with encoder	0.01	3.0 rpm	-	80 kg	9 Nm	230°C*	ZDPRF25E
DN38	70	Clear	Tapped M6	DC Motor	coarse	3.0 rpm	-	80 kg	9 Nm	230°C*	ZDPRF25D

\* with motors and encoders removed.