



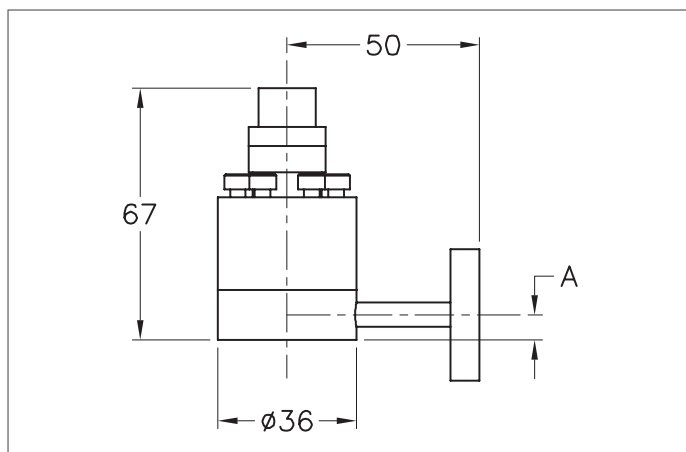
All Metal Right Angled Leak Valves (MD5 Series)

VACGEN MD5 series leak valves are used to precise control flow of gas into a vacuum system from an external source and operates in a high vacuum range. The MD5 Series uses a stellite-faced knife edge and nickel diaphragm to make the UHV seal.

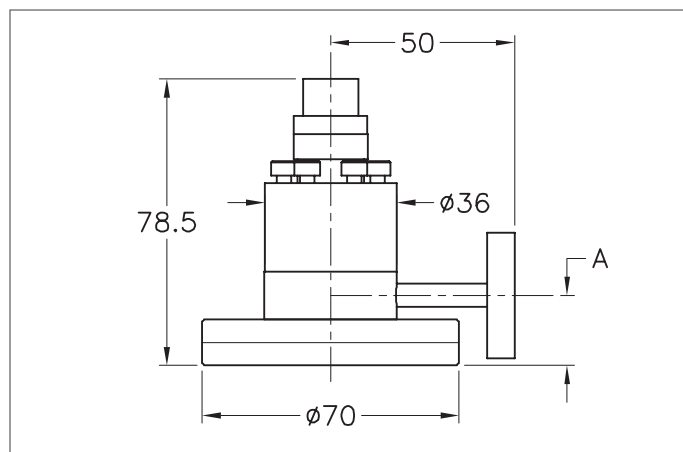


Product Overview

- Valve can withstand hot or corrosive gases
- High inlet pressure (up to 10 bar)
- Low internal volume
- User serviceable
- Operating pressure range from 1 bar to 10^{-7} mbar
- Bakeable to 450°C
- UHV compatible
- 304L stainless steel body with Nickel sealing disc



MD Schematic



MD9538 Schematic

All Metal Right Angled Leak Valves (MD5 Series)

DN Type	OD Flange Axial mm	OD Flange Radial mm	Max Inlet Pressure	Operating Pressure Max	Operating Pressure Min	Open Conductance $l.s^{-1}$	Closed Leak Rate $mbar.l.s^{-1}$	Bakeout Temp °C Open	Bakeout Temp °C Closed	A offset mm	Order Code
DN19	34 (Tapped base flange)	34	10 bar	1 bar	10^{-7} mbar	0.1	1×10^{-12}	450°C*	250°C*	6.5	ZMD95
DN40	70 (Clear base flange)	34	10 bar	1 bar	10^{-7} mbar	0.1	1×10^{-12}	450°C*	250°C*	18	ZMD9538

*When all ports of the valve are under vacuum