



RD6 & RD7 Primary Rotary Drives

The RD6 is a manual or motorised rotary drive with an ungraduated handwheel which includes a position lock and a V groove for motorisation with a 100mm shaft length.

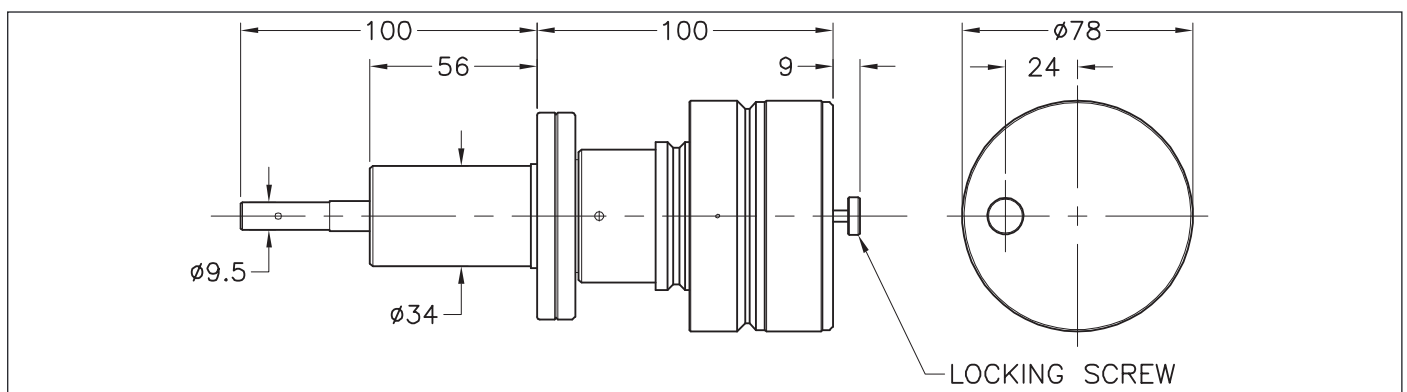


Product Overview

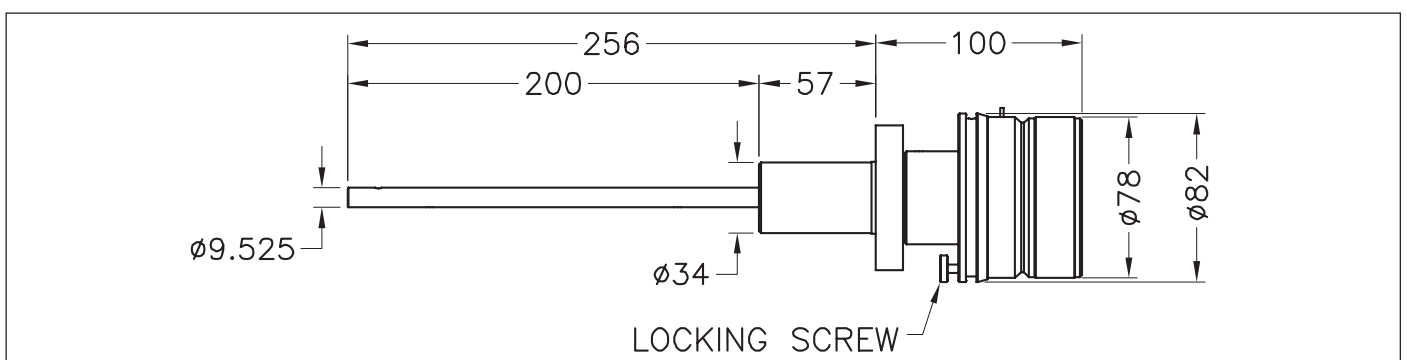
- Continuous rotation
- Angular repeatability of 0.5°
- High speed/medium torque
- Rotation lock
- Bakeable to 230°C (motor and gearbox removed), and to 400°C (partially dismantled)
- Axial load 40N
- RD6/RD6L shaft 9.5mm diameter, 100mm length
- RD7 shaft 9.5mm diameter, 256mm length
- Motorisation options
- Encoder options available

The RD7 has a graduated handwheel with 1.0° graduations, a 256 mm rotational shaft and hand wheel with position lock.

RD6 precision manual rotary drive



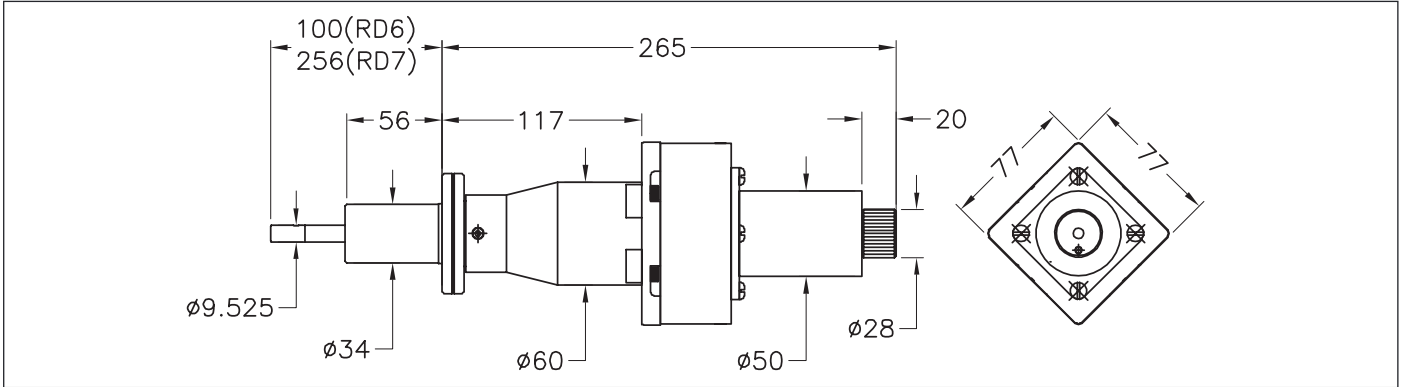
RD7 precision manual rotary drive





RD6 & RD7 Primary Rotary Drives

RD7 precision motorised rotary drive



RD6 Primary Rotary Drives

Flange OD mm	Type of Rotation	Resolution Degrees	Torque Nm 300 rpm	Torque Nm 10 rpm	Gear Ratio	Notes	Order Code
70	Manual	-	0.8	5	-		ZRD6
70	Stepper Motor	0.9	0.38	0.43	1:01		ZRD6MIW
70	DC Motor with power supply	-	0.38	0.43	5:01		ZRD6DCMIW
70	Stepper Motor with Gearbox	0.1	0.8	2	9:01		ZRD6MGIW

RD7 Primary Rotary Drives

Flange OD mm	Type of Rotation	Resolution Degrees	Torque Nm 300 rpm	Torque Nm 10 rpm	Gear Ratio	Notes	Order Code
70	Manual	1	0.8	5	-		ZRD7
70	Stepper Motor	0.9	0.38	0.43	1:01		ZRD7MIW
70	DC Motor with power supply	-	0.38	0.43	5:01		ZRD7DCMIW
70	Stepper Motor with Gearbox	0.1	0.8	2	9:01		ZRD7MGIW