

Assembly Information RD91 / 94 Bellows Change

Please use guide in conjunction with manual

RD91

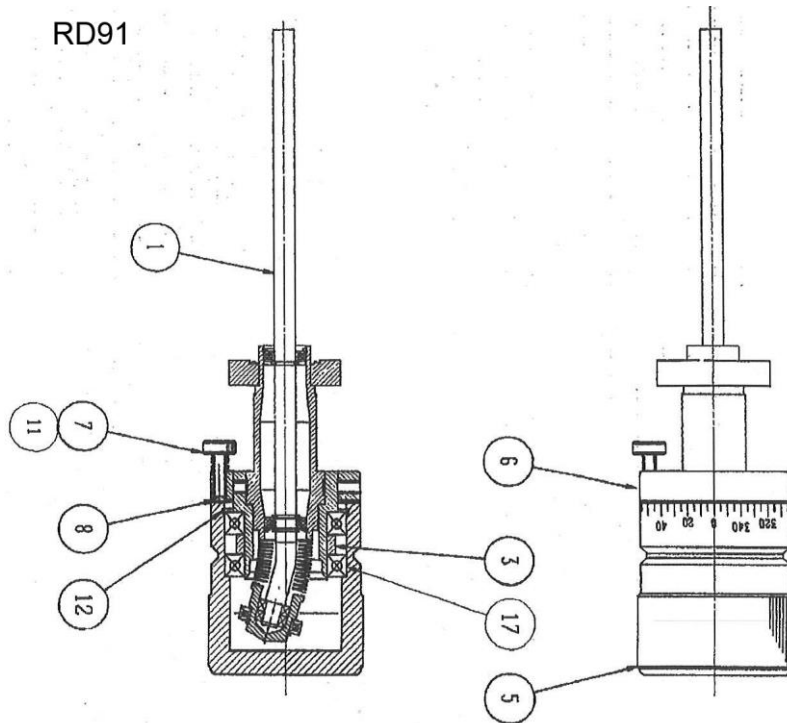
- 1) Release grub screws in lower index ring (6)
- 2) Release grub screws that now can be seen in the body and pull assembly off, noting that this has to be carefully angled to pass the bellows.

RD94

- 3) Remove the grub screws from the body (2)
- 4) Carefully pull off the body noting that this has to be carefully angled to pass the bellows.

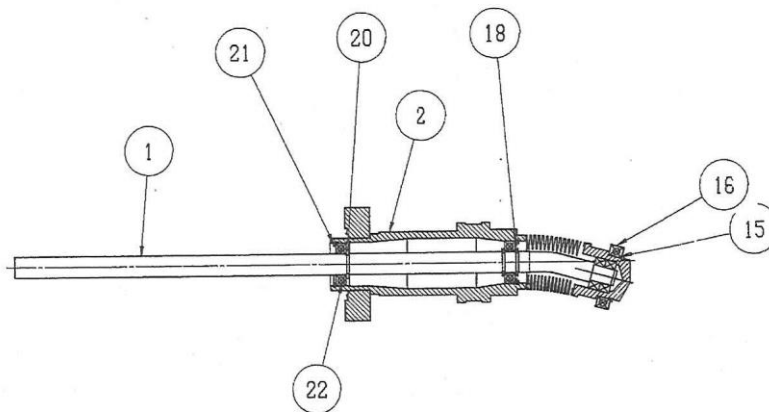
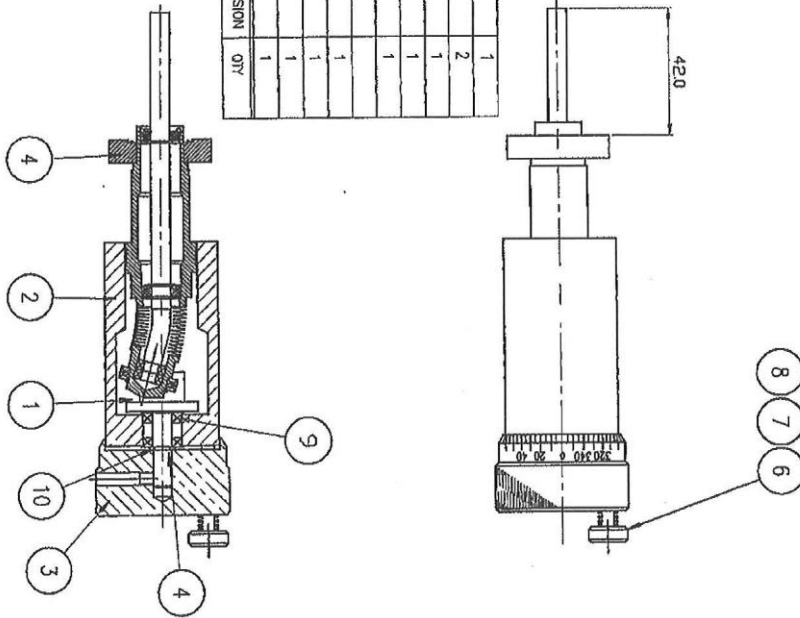
RD91 / RD94

- 5) On the bellows assembly, remove the clip (21)
- 6) Carefully pull the shaft out noting the top part of the shaft is bent.



ITEM NO	DESCRIPTION	QTY
1	IN VAC SHAFT, SUB-ASSY	1
2	BEARING ASSY	1
3		
4		
5	TOP CAP ENGRAVING	1
6	INDEX RING ENGRAVING	1
7	THUMB SCREW	1
8	PAID	1
9		
10		
11	LEE SPRING LC-0228C-0-SS	
12	RETAINING RING WH145	1
13		
14		
15		
16		2
17		

ITEM NO.	DESCRIPTION	VERSION	QTY
10	CIRCLIP D31030060		1
9	BEARING NMB SSRIE14H/M		2
8	PAU		1
7	THUMB SCREW		1
6	SPRING		1
5	IN VAC SUB-ASSY		1
4	THIMBLE ENGRAVING		1
3	CASE		1
2	SHAFT		1



16	LBEA36A	SSRI1212		1
22	LBEA31C			2
21	XCIS050	RETAINING RING S/S WH50		1
20	XCIC025			3
19				
18	XWAV08			1
16	LBEA36A	SSRI1212		1
15	XCIR019	CIRCLIP A3108 0050		1
2	DH-70-13-3	WELD ASSY		1
1	DH-70-02-3	SHAFT		1
ITEM NO	STOCK	DESCRIPTION	VERSION	QTY
	DRG No			