



Linear Rack & Pinion Drives - LRP2 & RLRP2

The rack and pinion design provides an accurate means of linear travel with option of rotation. These devices provide magnet free sample transfer for applications requiring low magnetic permeability.



Product Overview

- Non-magnetic and precise movement
- Wide range of linear travels with option of continuous 360° rotation
- Low sample deflection at full extended travel
- Bakeable to 250°C
- Leak rate $< 1 \times 10^{-10}$ mbar ls⁻¹
- Pressure range 1 bar to 10^{-11} mbar
- Motorisation options available
- 70mm OD conflat mounting flange
- Optional differential pumping port

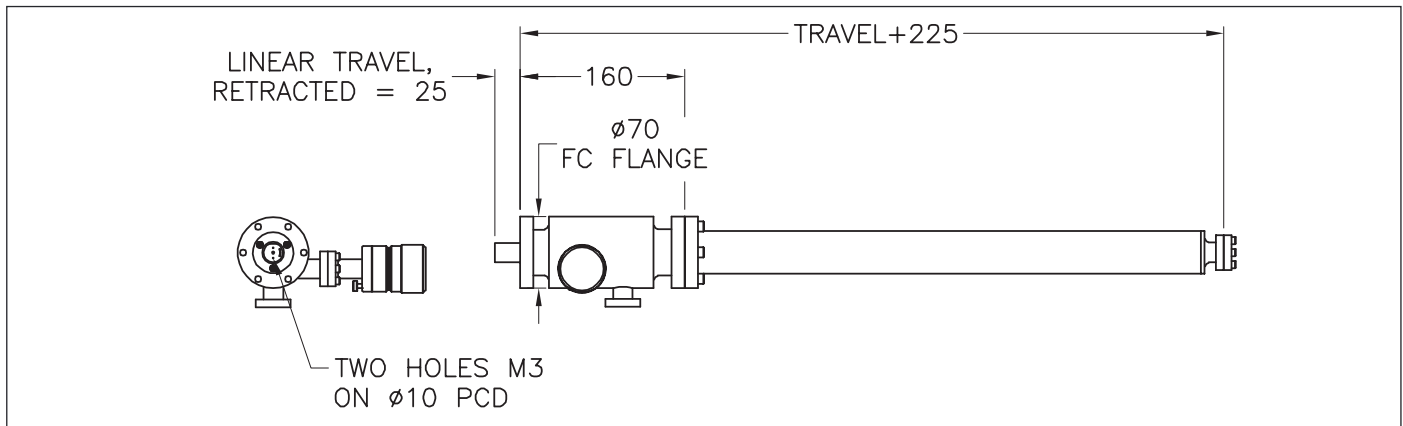
Linear Rack and Pinion Accessories

Drive Order Code	Order Code
ZRLRP203	ZRLRP2S3
ZRLRP204	ZRLRP2S4
ZRLRP206	ZRLRP2S6
ZRLRP209	ZRLRP2S9
ZRLRP604	ZRLRP6S4
ZRLRP609	ZRLRP6

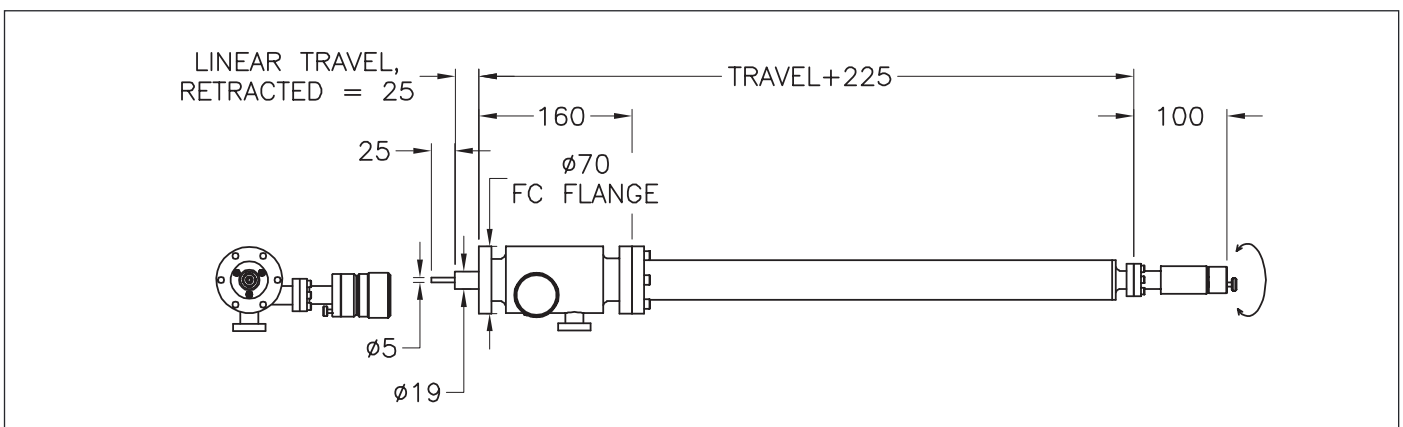


Linear Rack & Pinion Drives - LRP2 & RLRP2

Linear Rack and Pinion Drives (LRP2 Series)



Rotating Linear Rack and Pinion Drives (RLRP2 Series)



Linear Rack and Pinions - LRP2 and RLRP2 Series

DN Type OD mm	Flange OD mm	Linear Travel (mm)	Rotation	Probe Diameter	Max Load Capacity kg	External Length mm	Order Code
DN40	70	305	No	19	0.3	530	ZLRP203
DN40	70	460	No	19	0.3	685	ZLRP204
DN40	70	610	No	19	0.3	835	ZLRP206
DN40	70	914	No	19	0.3	1139	ZLRP209
DN40	70	305	Yes	19	0.3	630	ZRLRP203
DN40	70	460	Yes	19	0.3	785	ZRLRP204
DN40	70	610	Yes	19	0.3	935	ZRLRP206
DN40	70	914	Yes	19	0.3	1239	ZRLRP209