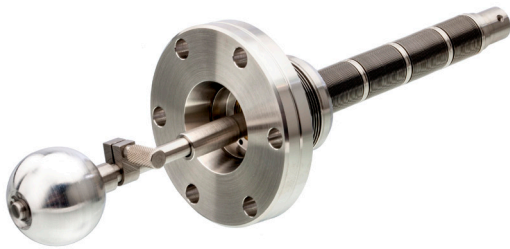




WS Conventional Wobble Sticks

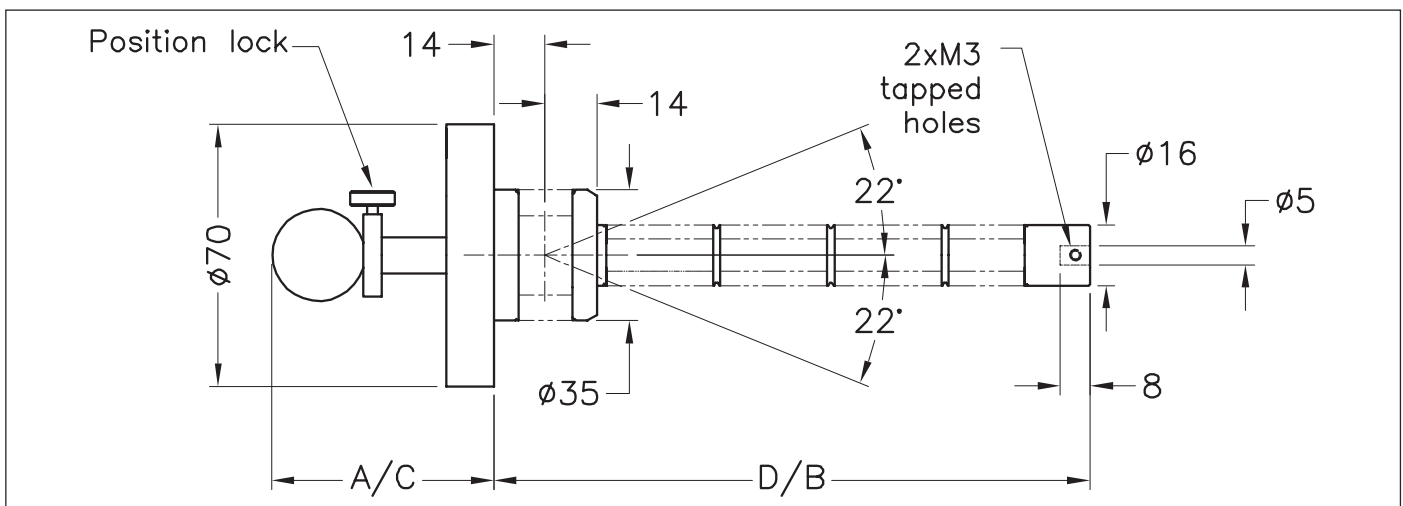
The WS Wobble stick manipulator utilises a flexible edge welded bellows to enable efficient manually operated movements to be transmitted through the wall of a vacuum vessel.



Product Overview

- Linear travels from 80mm to 280mm
- +/- 22° of angular movement
- Dual edge welded bellows.
- 70mm OD conflat mounting flange.
- Leak rate <math> < 1 \times 10^{-10}</math> mbar ls⁻¹
- Pressure range 1 bar to 10⁻¹¹ mbar
- All stainless steel construction

Multi functional tool for the hands on approach of sample handling. Tactile operation to give the user a true 'feeling' of position inside the vacuum chamber.



Universal Wobble sticks - WS series

DN Type	Flange OD mm	Tool Mounting Flange mm	Linear Travel	Angular Range ¹ Degrees	Dim in mm Retracted A	Dim in mm Extended B	Dim in mm Extended C	Dim in mm Retracted D	Hole Dia	Type	Order Code
DN40	70	34	80	±22.0	139	159	59	79	3.6	Universal	ZWS075
DN40	70	34	151	±22.0	210	259	59	108	3.6	Universal	ZWS150
DN40	70	34	237	±22.0	296	381	59	144	3.6	Universal	ZWS225
DN40	70	34	280	±22.0	339	442	59	162	3.6	Universal	ZWS275